

EURO JW

PATENT



Article: **43531/12 BLS**

Plug-in 12 poles insulated and divisible jumper – pitch 5,1mm – Blue – for EURO Z and EURO W terminal blocks



GENERAL INFORMATION

Series	EURO JW
Item	43531/12 BLS
Weight/Piece	0.0 g
Customs tariff	-
Page/Catalog	- / 01
Colour	Blue
Min. package	1 bag (= 10 pieces)
Max package	-

TECHNICAL DATA / DIMENSIONS

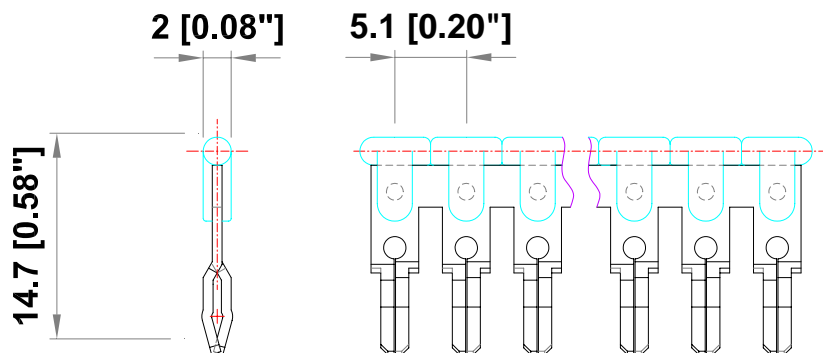
Dimensions

Width mm(in.)	2 (0.08)
Length mm(in.)	61.4 (2.42)

Technical data

Nominal Current	20A
-----------------	-----

TECHNICAL DRAWINGS



ACCESSORIES

Tools	
Item	Description
43519	EURO JW - Ratchet cutting tool for plug-in jumper (pitch 5,1mm) red/blue
43519-MT	EURO J - Replacement Die for 43519 - EURO JW

Additional items	
Item	Description
43503-B/W/PE	Three-stage Terminal Block EURO WE 2.5/35 with: -lowest level grounding -top blue -middle no colour
43503-L/L/PE	Three-stage Terminal Block EURO WE 2.5/35 with: -lowest level grounding -top and middle no colour
43503-N/L/PE	Three-stage Terminal Block EURO WE 2.5/35 with: -lowest level grounding -top black -middle white
43504	Three-stage Terminal Block EURO W 2.5/35 grey
43504 V	Three-stage terminal block, cross connected, W2.5/35
43505	Three-stage Terminal Block EURO Z 2.5/35, grey
43505 LN	Three-stage Terminal Block EURO Z 2.5/35 LN, red LED, grey
43505 LP	Three-stage Terminal Block EURO Z 2.5/35 LP, red LED, grey
43505 V	Three stage terminal block, cross connected EURO Z2.5/35